

FIGURE 5

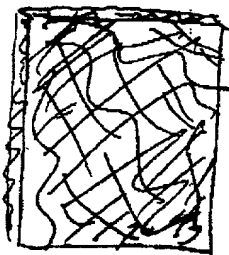


FIGURE 6

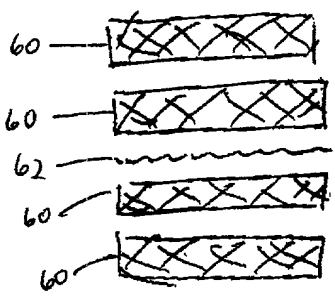


FIGURE 7

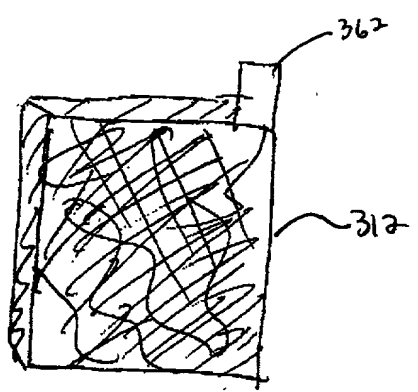


FIGURE 8

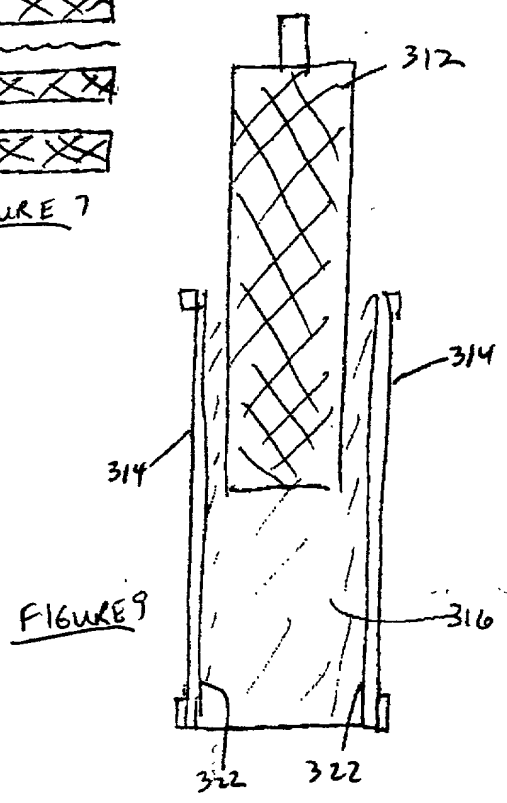


FIGURE 9

2025 RELEASE UNDER E.O. 14176